

Template for

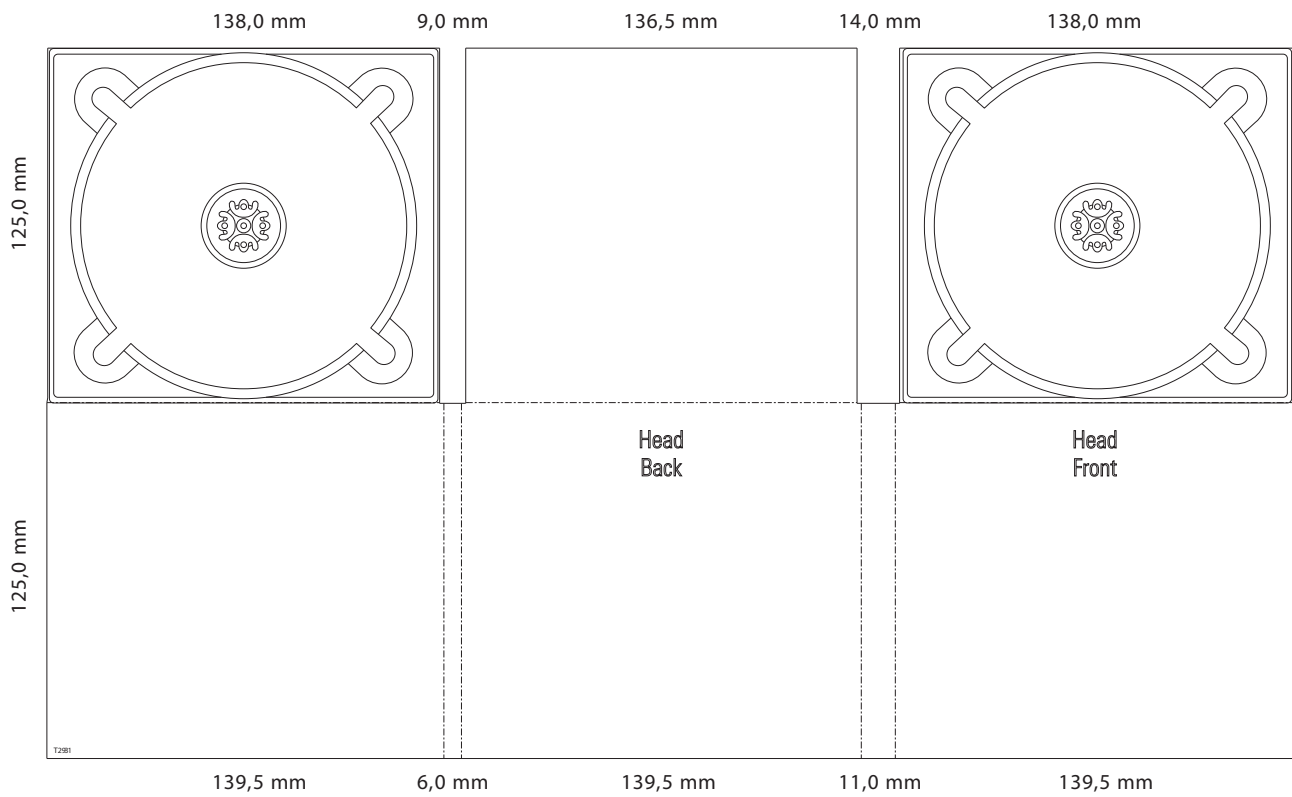
Audio - Digipack

Template-No.: 2931

Open format:	435,5 x 250,0 mm
Closed format:	139,5 x 125,0 x 11,0 mm
Width of spine:	12,0 mm
Number of panels:	6
Number of trays:	2
Content:	2 disc

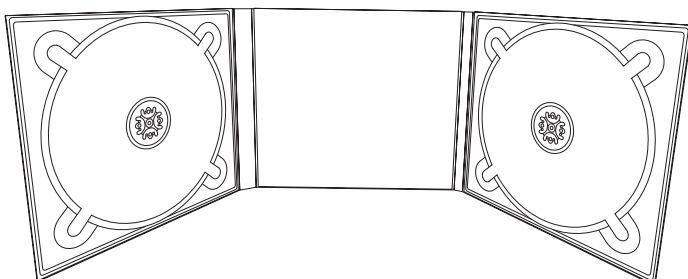
Please find the related EPS and layout files attached to this PDF.

Measurement input



scaling: 38 % • bleed: 3 mm

Folding layout



Printing area

